

Project: Baseboard Alone

Date: 10/23/2012

Drawn by: JR

Company: Quintessence Corporation www.FCXalaska.com

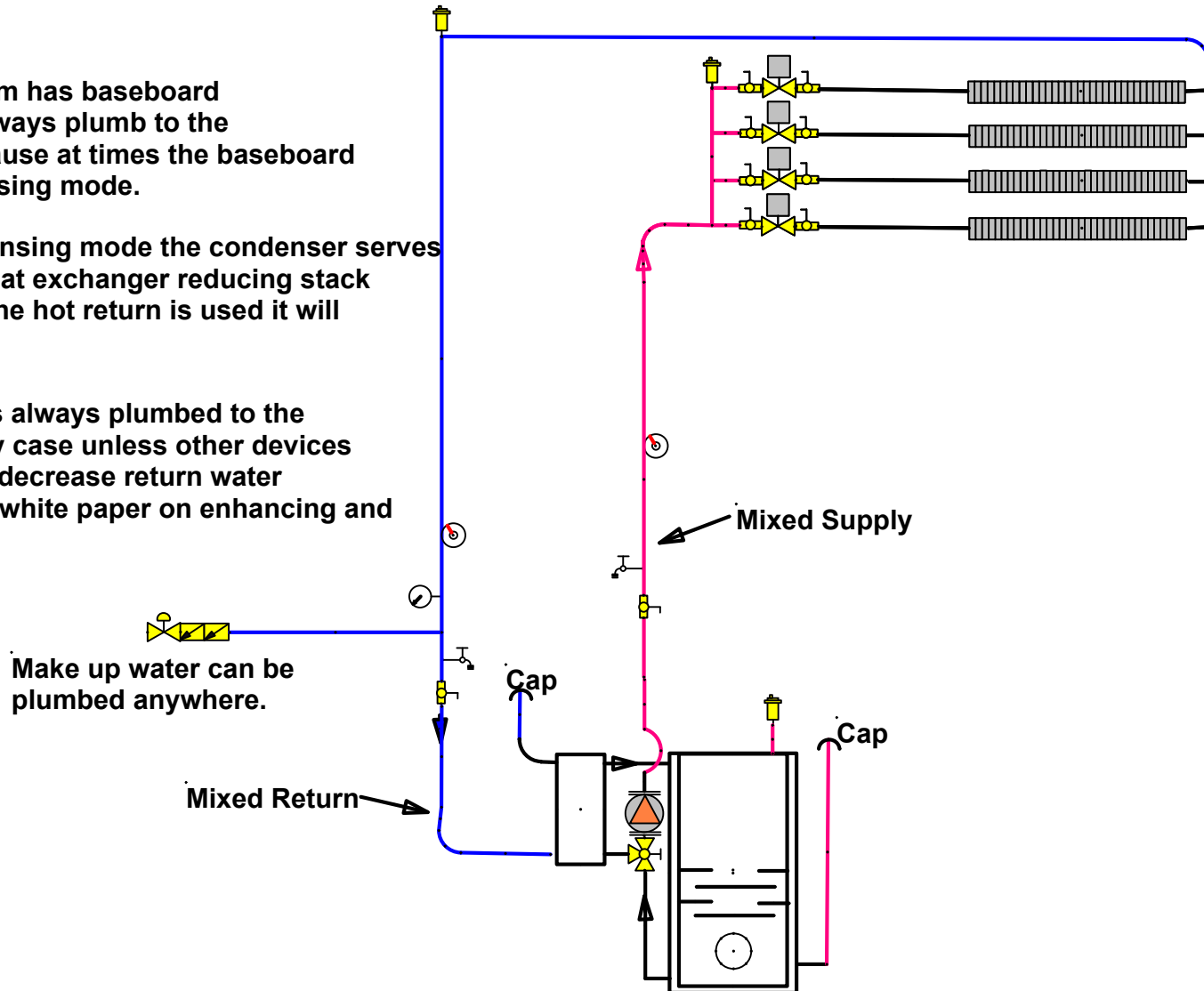
Comments: Why to use the mixed circuit when baseboard is the only heat emitter.

Notes:

Whenever a system has baseboard without radiant always plumb to the mixed circuit because at times the baseboard will run in condensing mode.

Even in noncondensing mode the condenser serves as a secondary heat exchanger reducing stack temperatures. If the hot return is used it will negate this

The DHW heater is always plumbed to the hot circuit in every case unless other devices are added post to decrease return water temperature. See white paper on enhancing and optimising.



Make up water can be plumbed anywhere.

Mixed Return

Mixed Supply

Cap

Cap