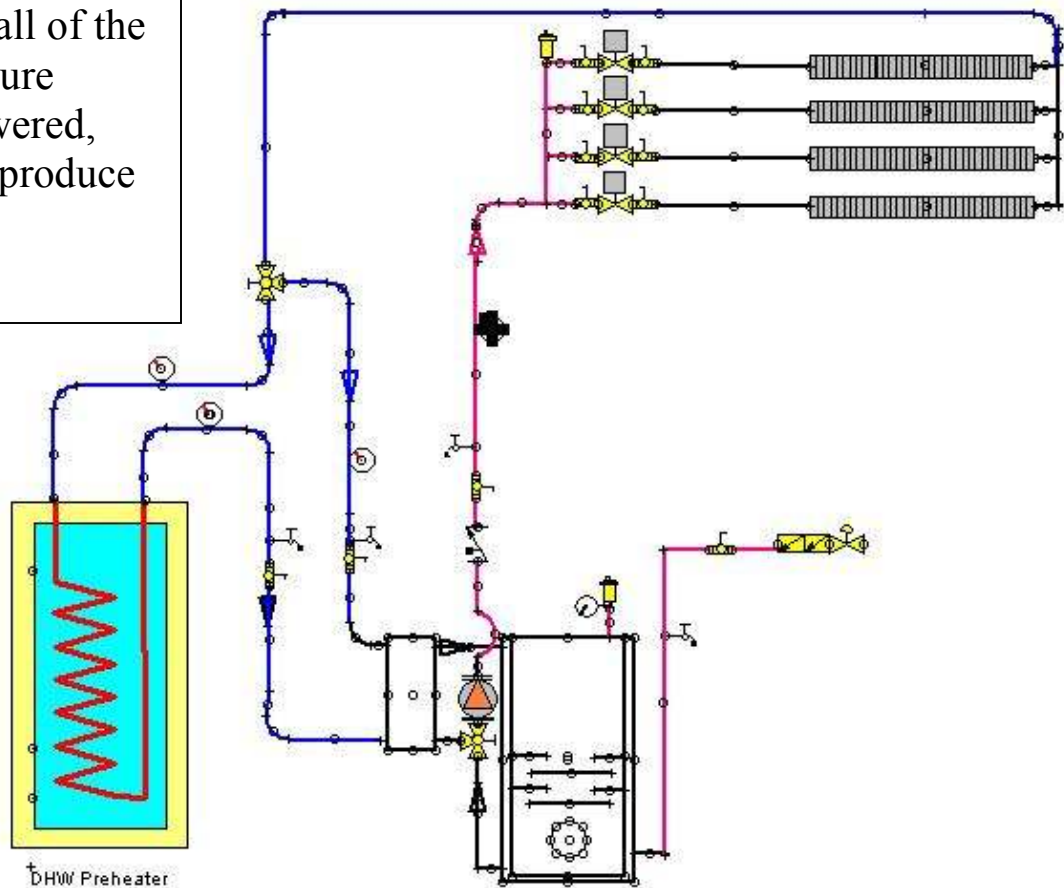


FCX w/Baseboard Enhanced With Preheat of DHW

Three-way valve allows fine-tuning of system when very hot water is returned. Not all of the water temperature needs to be lowered, just enough to produce condensing.



This concept could be used with any combination of heat emitters. The object here with baseboard is to lower the return water sufficiently enough to promote condensing. The concept could also encompass HRV preheating of air, or other devices to remove heat from the return water.