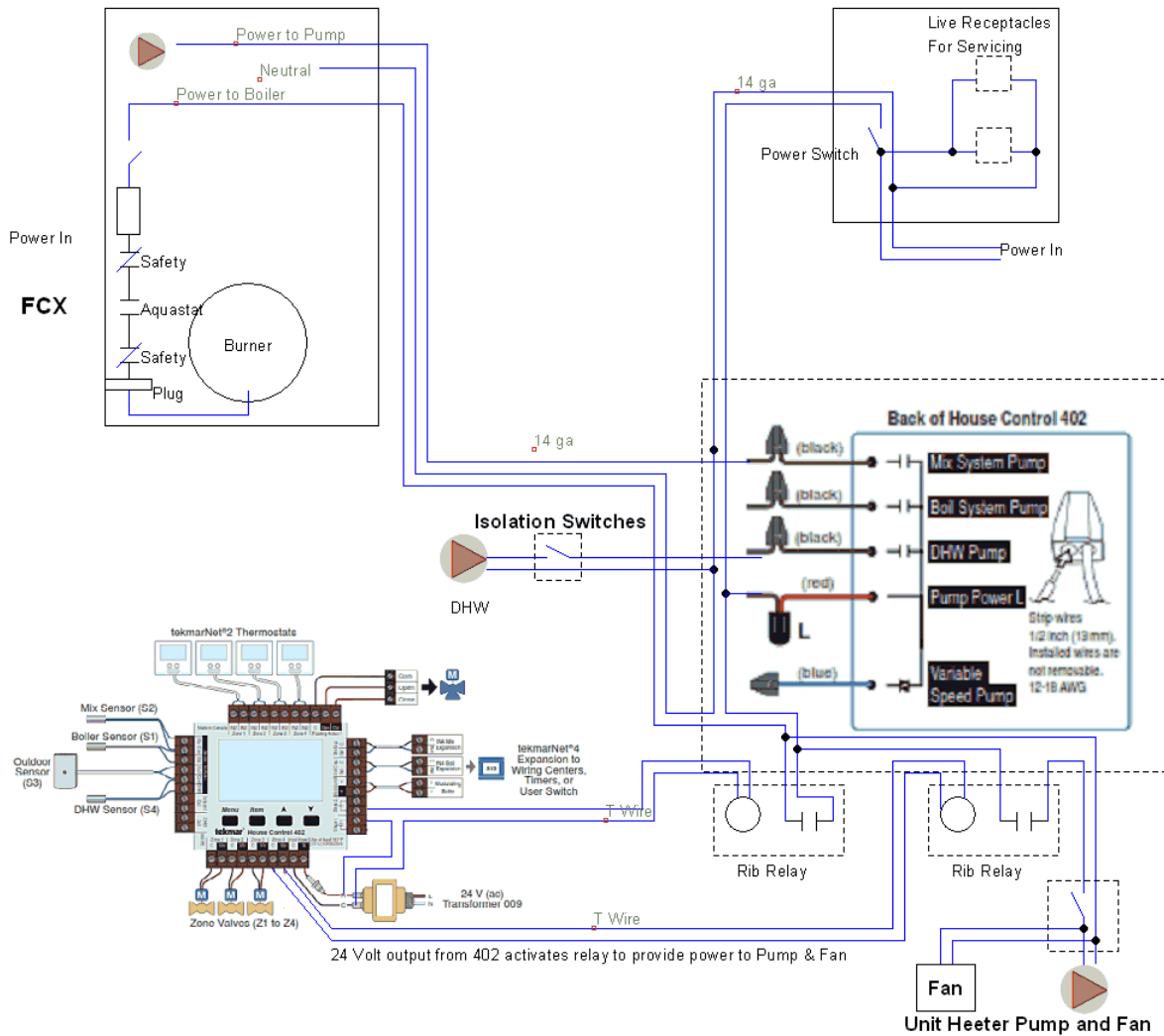


FCX with Tekmar 402, 3 Heating Zones DHW and a Unit Heater Controlling 3 pumps



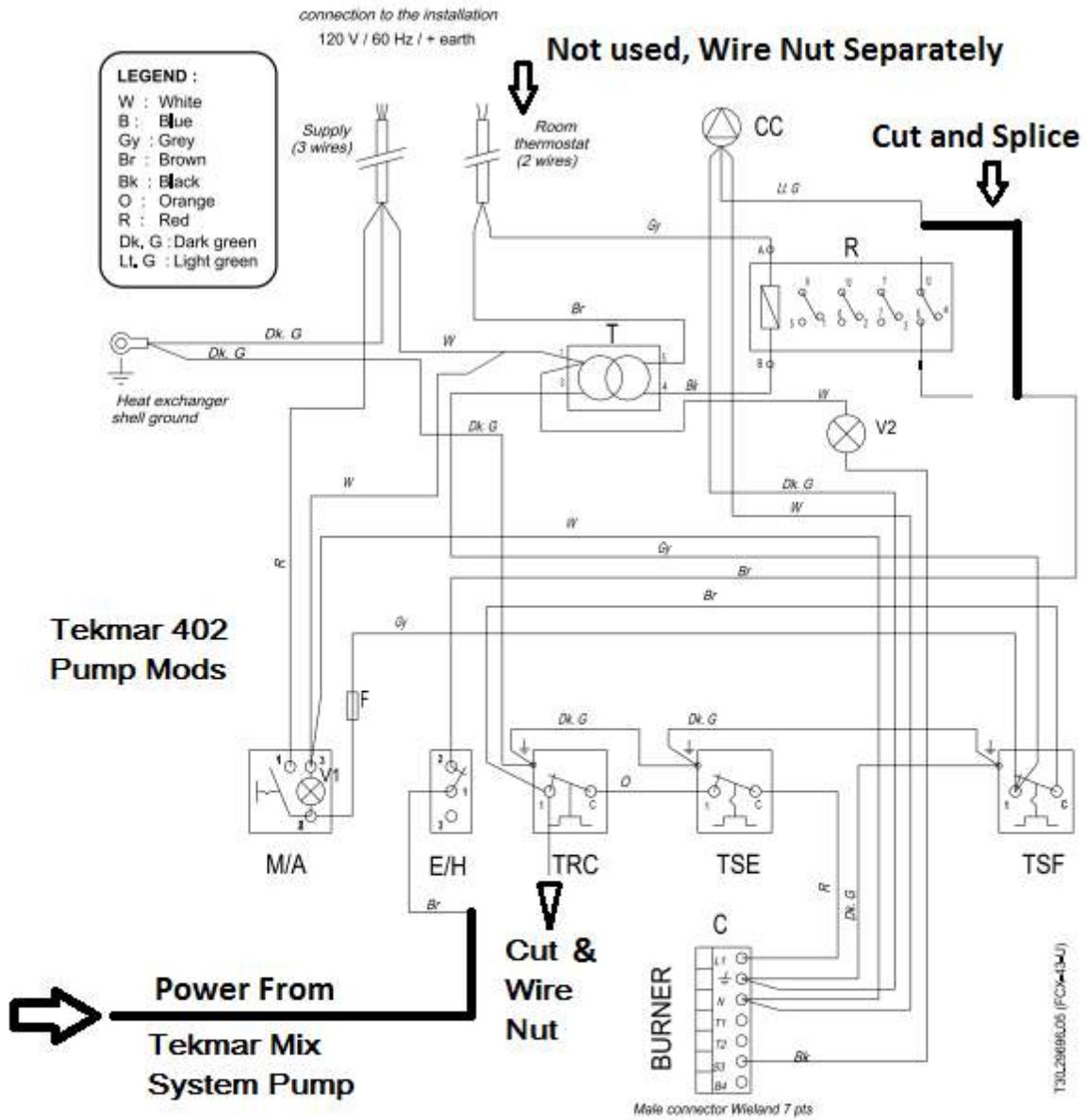
Notes:

The FCX has no TT on its controller, it is turned off and on by interrupting power to the boiler using a RIBU1C relay. These changes are necessary because the pump is powered separately from the boiler with the Tekmar 402.

It is adequate to use 14 gage, 3 conductor cable with ground as only one neutral is required.

The internal aquastat now functionally becomes a secondary high limit. It must be left in the circuit as the Tekmar is not rated as a primary controller.

Tekmar 402 / FCX Wiring Details



LEGEND :

L : Phase

N : Neutral

M/A: On/Off switch

E/H: Summer/Winter switch

TSE: Overheat safety cutout aquastat

TRC: Adjustable thermostat

TSF: Flue gas safety cutout thermostat

V1: On light

V2: Burner safety shutdown light

C : Burner connector

F : Fuse (6,3 A)

R : Relay

T : Main transformer 120/24 volts

CC : Circulating pump