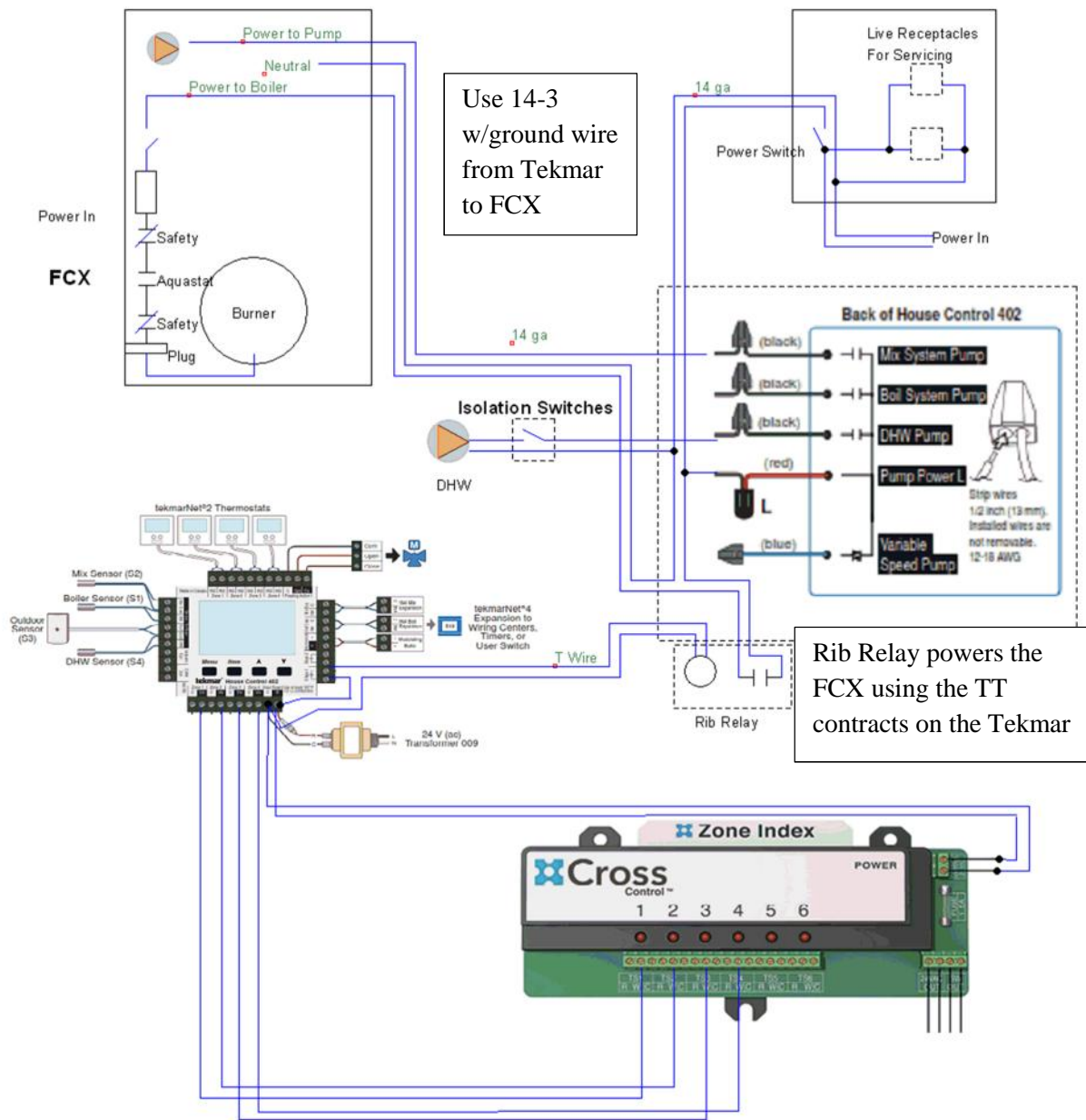
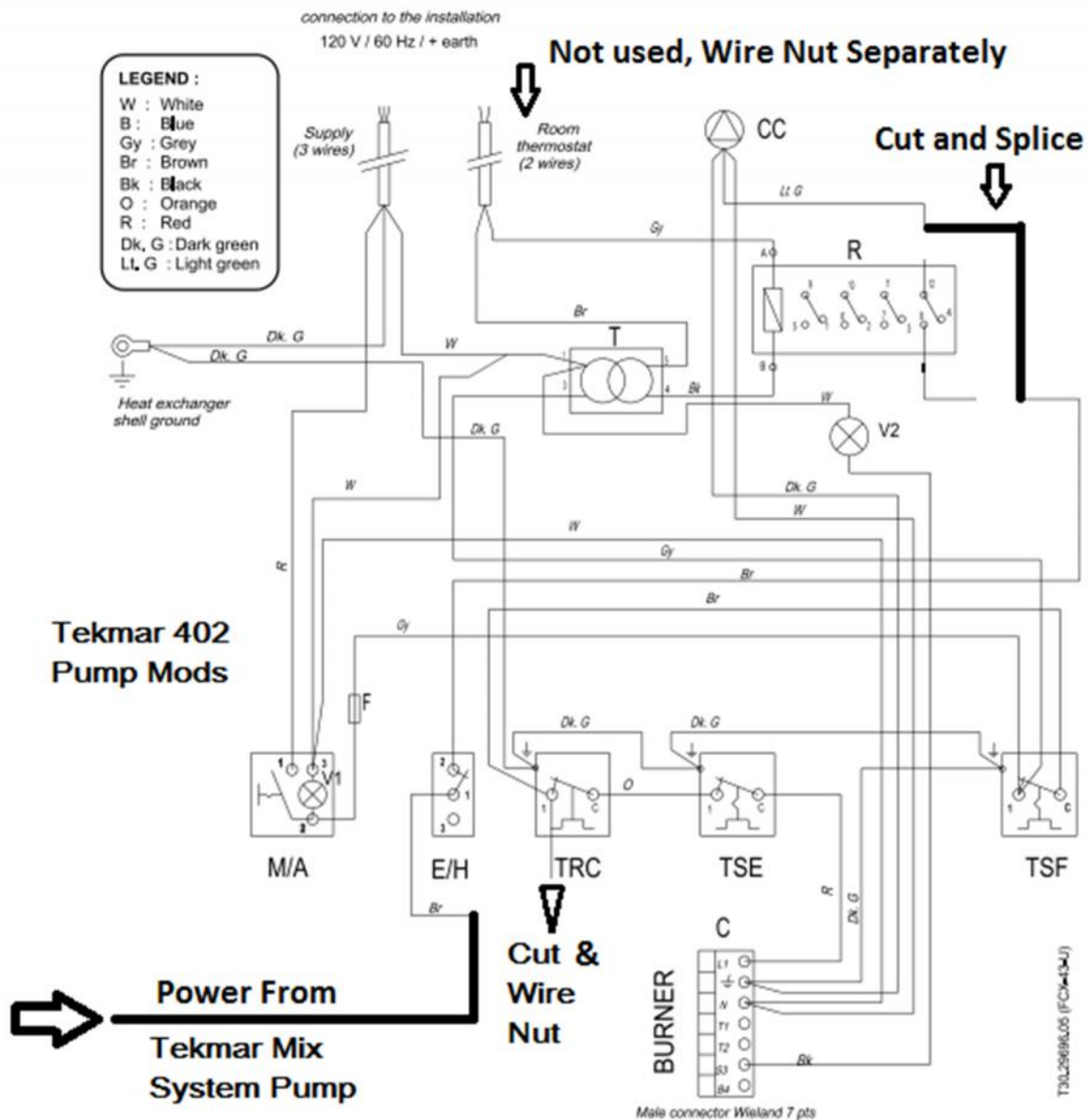


# Tekmar 402 with Cross Manifold



The Cross manifold is designed to direct connection of thermostats (dry contactors) directly to the zone terminals (24v cannot be applied to them). The Cross uses an external 24v supply that provides power when to each zone when actuated by a thermostat. However, connecting the **red** on the Tekmar to the **white** on the Cross accomplishes the same. **You must use the same 24v transformer on both devices and be consistent with the wiring.**

# Tekmar 402 / FCX Wiring Details



**LEGEND :**

L : Phase

N : Neutral

M/A: On/Off switch

E/H: Summer/Winter switch

TSE: Overheat safety cutout aquastat

TRC: Adjustable thermostat

TSF: Flue gas safety cutout thermostat

V1: On light

V2: Burner safety shutdown light

C : Burner connector

F : Fuse (6,3 A)

R : Relay

T : Main transformer 120/24 volts

CC : Circulating pump